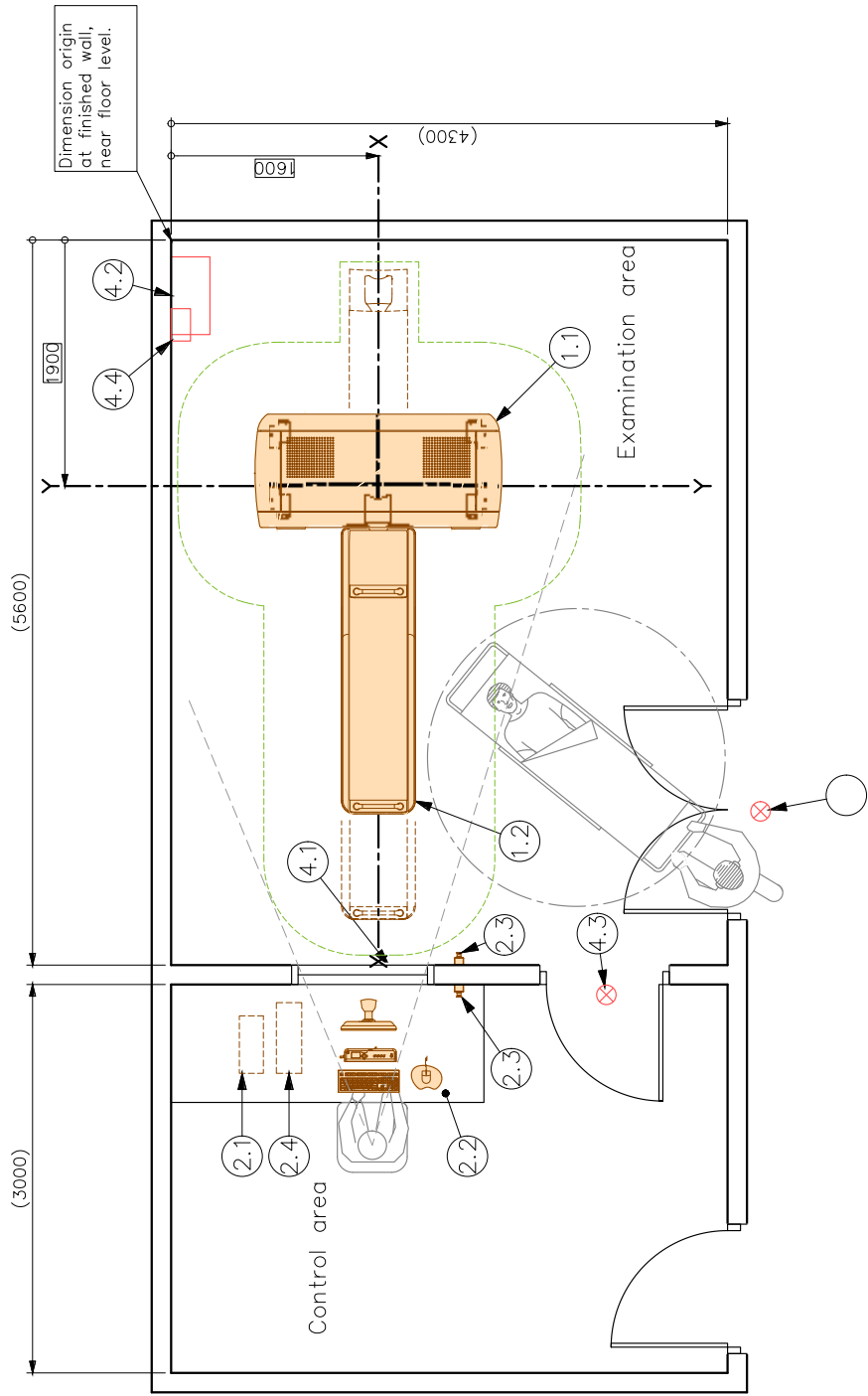
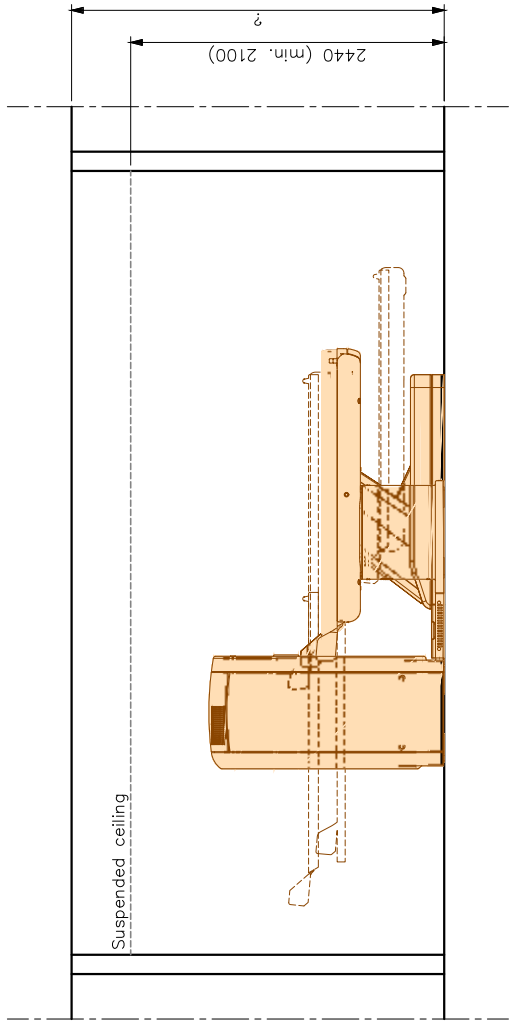


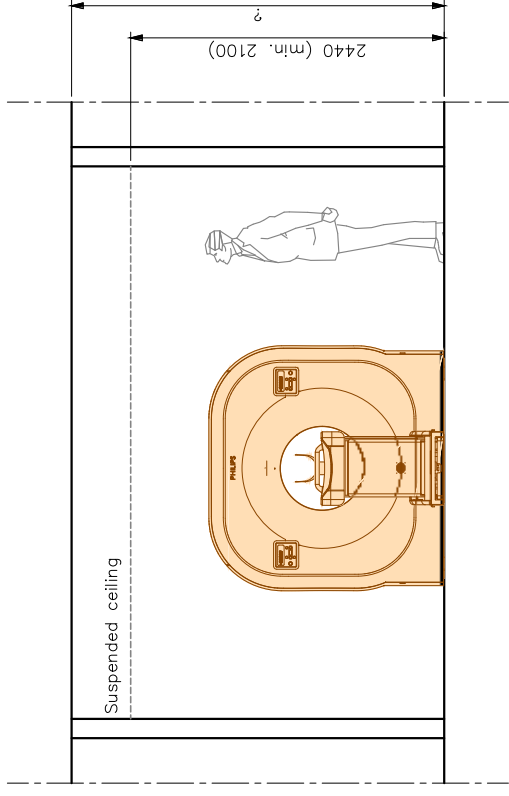
# Computed Tomography



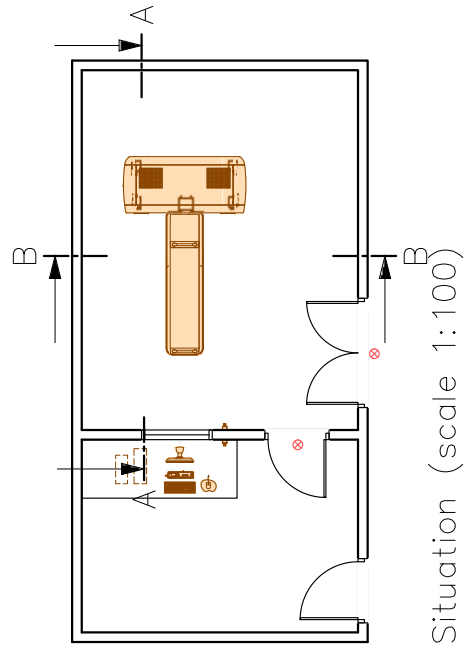




Schematic cross section A-A



Schematic cross section B-B



Situation (scale 1:100)