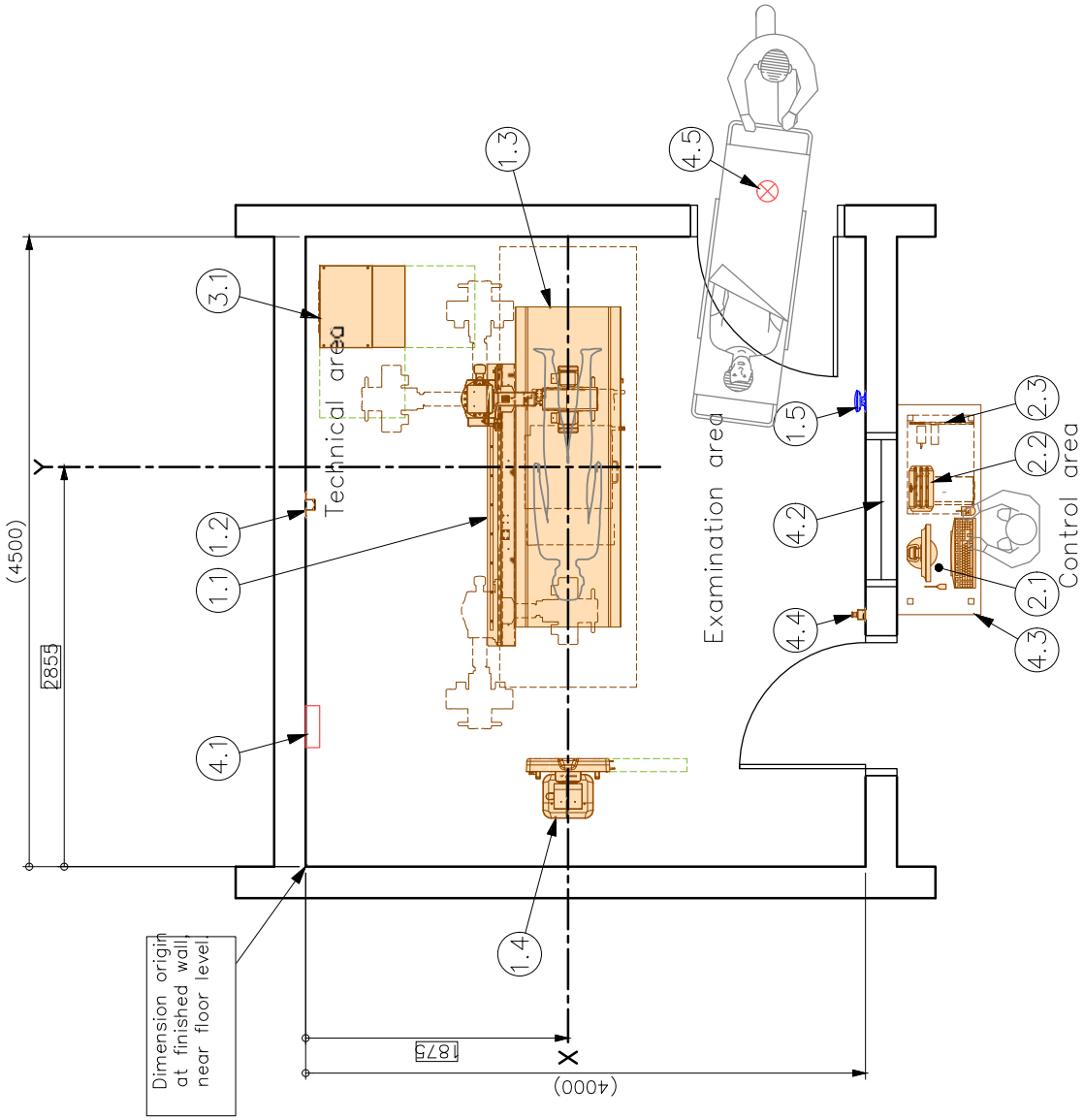
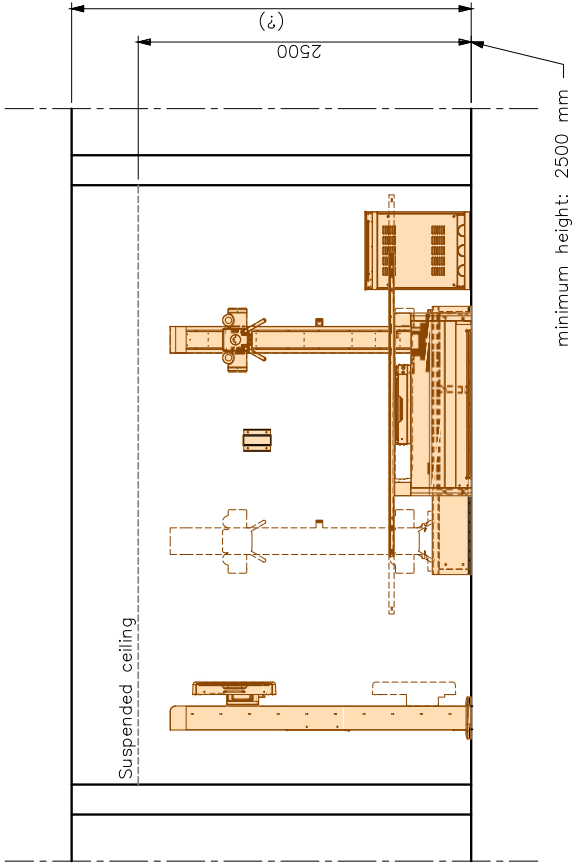


Digital X-Ray

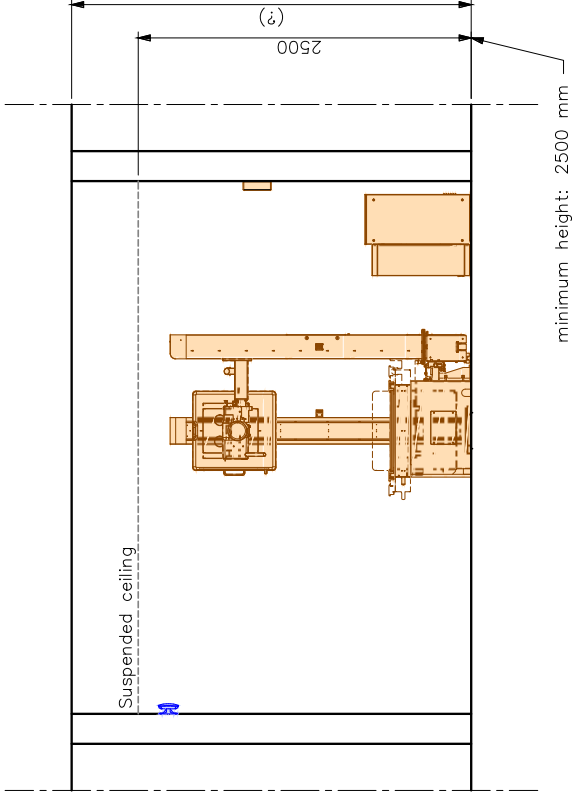






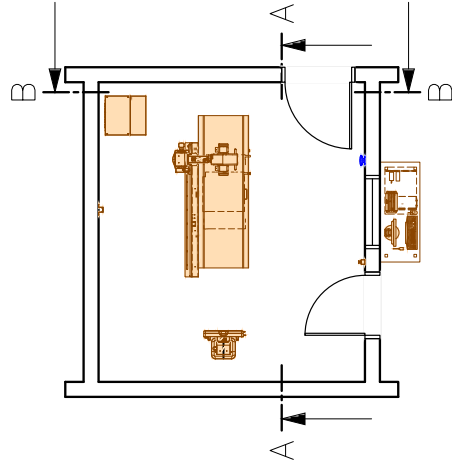
Schematic cross section A-A

minimum height: 2500 mm



Schematic cross section B-B

minimum height: 2500 mm



Overview (scale 1:100)